



STREET CLERKS

BACKLINE REQUEST

DRUMS

(YAMAHA or DW)
1 BASS DRUM 22"
1 SNARE 14"
1 FLOOR TOM 16"

CYMBALS

(TURKISH Classic or UFIP Class – NO Zildjian)
1 RIDE 20"
1 CRASH 16"

PEDALS AND STANDS:

1 BASS PEDAL (PEARL OR YAMAHA OR DW)
1 SNARE STAND
2 CYMBAL STANDS

DOUBLE BASS

DOUBLE BASS 3/4 (DIAPASON 104, SCHALLER MAGNETIC PICK-UP)
1 GALLIEN KRUEGER 700RB HEAD
1 AMPEG 4x10" SPEAKER REFLEX
1 DOUBLE BASS STAND

ELECTRIC GUITAR

1 VOX AC30 CC2 2x12" AMP
1 FENDER DE VILLE 2x12" AMP
2 GUITAR STANDS

ACOUSTIC GUITAR

1 D.I. BOX
2 GUITAR STANDS

MONITOR REQUESTS

WE NEED 4 IN-EAR WIRELESS SYSTEM (SENNHEISER or SHURE)

Si richiede un fonico di sala.

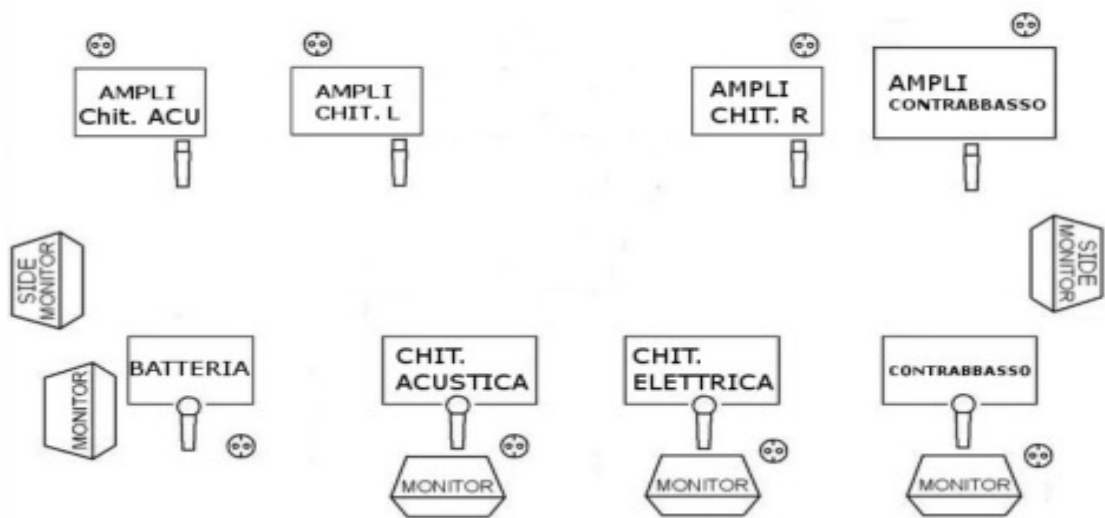
Camerino per potersi cambiare nelle immediate vicinanze del palco.

Inoltre, per una buona riuscita dello spettacolo, è NECESSARIO che il servizio sala e bar, durante lo spettacolo, SIA FERMO

CHANNEL LIST

CHANNEL	MICS
01 KICK	D112
02 SNARE TOP	SM57
03 SNARE BOTTOM	BETA56A (facoltativo)
04 FLOOR TOM	MD421
05 TAMBOURINE	SM57 (facoltativo)
06 OH L	414
07 OH R	414
09 DOUBLE BASS AMP	XLR
10 DOUBLE BASS SPEAKER	D112 (facoltativo)
11 ACOUSTIC GUITAR	XLR
12 ELECTRIC GUITAR AMP L	SM57
13 ELECTRIC GUITAR AMP R	SM57
16 VOX FRANCESCO	SM58
17 VOX VALERIO	SM58
18 VOX ALEXANDER	SM58
19 VOX COSIMO	SM58

STREET CLERKS - STAGE PLAN



Per accettazione